

Latest edition?

The Service Kit Catalogue is only reprinted at long intervals. If you require the latest edition, please refer to service documentation in WebCAPS which is updated on a more regular basis.

Sources of product documentation

In addition to the printed Service Kit Catalogue, Grundfos offers the following sources of product documentation

- WinCAPS
- WebCAPS

WinCAPS

WinCAPS is a **Windows-based Computer Aided Product Selection** programme containing information on more than 185,000 Grundfos products.

WinCAPS is available on CD-ROM in more than 20 languages.

WinCAPS offers

- service parts
- detailed technical information
- selection of an optimum pump solution
- dimensional drawings of each pump
- detailed service documentation
- installation and operating instructions
- wiring diagrams of each pump.

WebCAPS

WebCAPS, **Web-based Computer Aided Product Selection**, is a web-version of WinCAPS.

WebCAPS is available on the Grundfos homepage, www.grundfos.com

WebCAPS offers

- service parts
- detailed technical information
- dimensional drawings of each pump
- wiring diagrams of each pump
- data booklets
- installation and operating instructions
- service videos
- service documentation
- CAD drawings (2- and 3-dimensional)
- product brochures
- case histories
- system guides
- system and concept brochures.

Shaft seal

Shaft seal

The stamping code (variant code) of mechanical shaft seals is stamped on the pump nameplate. Indicated in the last position of the type designation, the stamping code consists of four letters.

Example	A	U	U	E
Grundfos type designation (1)				
Material of rotating face (2)				
Material of stationary seat (3)				
Material of secondary seal (4)				

Position 1 codes

Position 1 of the mechanical shaft seal variant code shows the Grundfos type designation.

The following codes can be shown in position 1:

Code	Description
A	O-ring seal with fixed seal driver
B	Bellows seal, rubber
C	O-ring seal with spring as seal driver
D	O-ring seal, balanced
E	O-ring seal, type A, cartridge
F	Bellows seal, type B, cartridge
G	Bellows seal, type B, with reduced seal faces
H	O-ring seal, type D, cartridge
K	Bellows seal, metal, type M, cartridge
M	Bellows seal, metal
O	Double seal, back-to-back
P	Double seal, tandem
Q	Seal with flush, quench seal
R	O-ring seal, type A, with reduced seal faces
S	Stuffing box
T	Floating gap seal
X	Miscellaneous

Positions 2 and 3 codes

Positions 2 and 3 of the mechanical shaft seal variant code show materials of rotating face and stationary seat.

The following codes can be shown in positions 2 and 3:

Code	Material
A	Carbon, metal-impregnated
B	Carbon, resin-impregnated
H (B/U)	Synthetic carbon Carbon with embedded tungsten carbide (hybrid)
C	Other carbons
D	Steel
N	Metals Bronze
S	Cast chromium steel
U	Tungsten carbide, chromium-nickel-molybdenum-bonded
Q	Carbides Q ₁ ^S : Dense, sintered, fine-grained silicon carbide (SiC) Q ₁ ^P : Porous, sintered, fine-grained silicon carbide (SiC) Q ₁ ^G : Graphite-containing, sintered silicon carbide (SiC)
V	Metal oxides Ceramic (aluminium oxide)

Position 4 codes

Position 4 of the mechanical shaft seal variant code shows the secondary seal material.

The following codes can be shown in position 4:

Code	Material
E	EPDM
F	FXM (Fluoraz [®])
V	FKM (Viton [®])
K	FFKM (Kalrez [®])
M	PTFE-sheathed O-ring
P	NBR (nitrile rubber)
S	Q (silicone rubber)
T	PTFE (Teflon [®])
X	Other elastomers

CRK, CRKI 2

50/60 Hz
Models A, B, C

Shaft seal kit

Pos.	Kit No	415080	415085	985720
	Description	AUUV	BUBV	AUUK
37	Gasket	1	1	1
37a	Gasket	1	1	1
105	Shaft seal complete	1	1	1

Wear parts kit

Pos.	Kit No	405133	405134	405135
	Number of stages	2-9	13-18	22-26
Description				
4a	Bearing chamber	1	2	3
9	Coupling screw	4	4	4
10	Coupling pin	1	1	1
36	Nut	4	4	4
37	Gasket	1	1	1
37a	Gasket	1	1	1
45	Neck ring	8	16	23
47a	Bearing ring	1	2	3
61	Spacer	1	1	1
62	Stop ring	1	1	1
64b	Spacing pipe 4.15 mm	1	1	1
65	Neck ring retainer	8	16	23
66	Washer	1	1	1
66a	Washer	4	4	4
67	Lock nut	1	1	1
122	Priming screw	1	1	1

Coupling complete

Pos.	Kit No	415078	415079	415062	415063	415314	415315
	Motor/pump shaft diameter [mm] x L	14/12 x 81	19/12 x 81	24/12 x 68	28/12 x 68	15.8/12	28.5/12
Description					NEMA		
10a	Coupling half	2	2	2	2	2	2
9	Screw	4	4	4	4	4	4
10	Pin	1	1	1	1	1	1

Metal terminal box kit

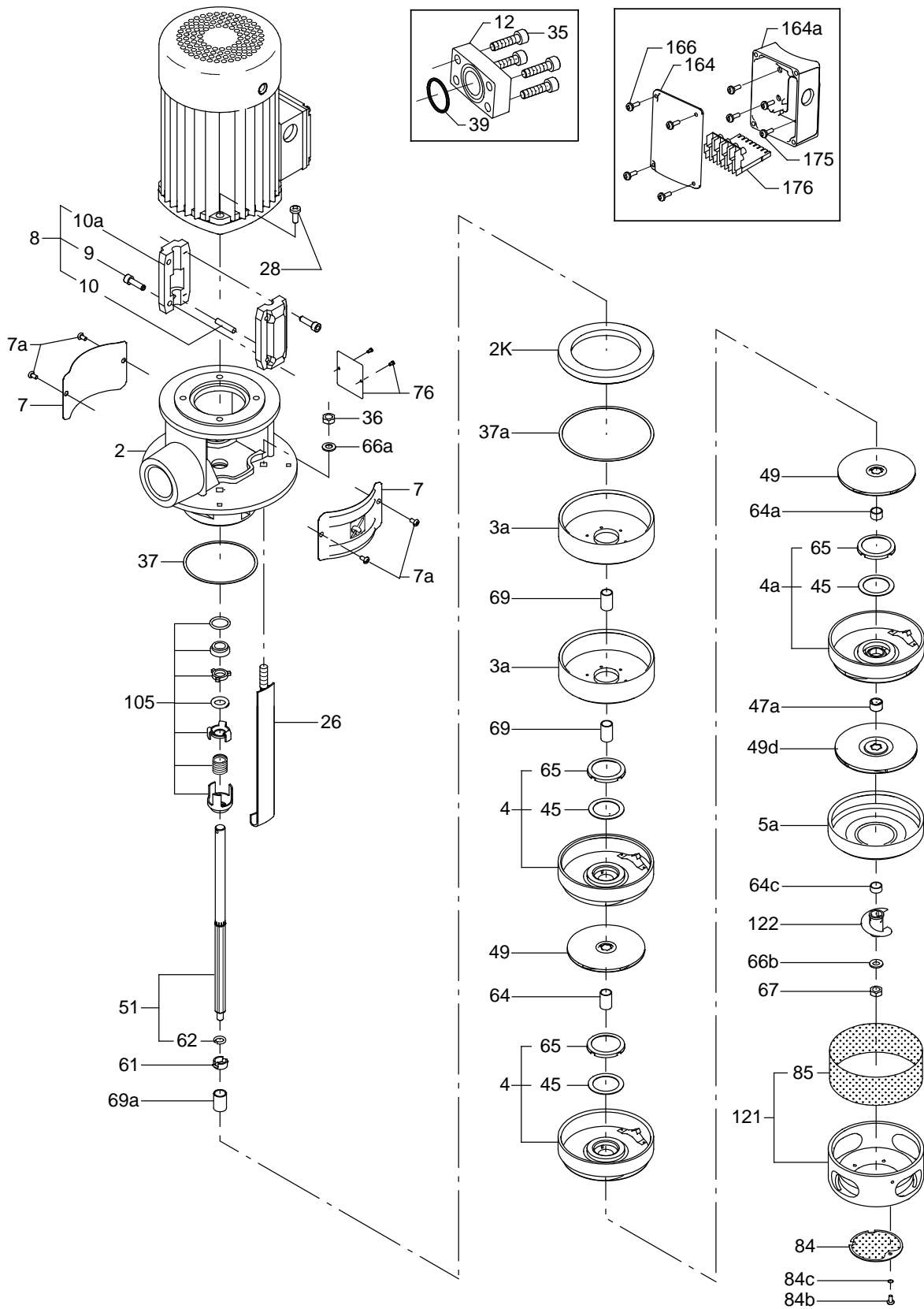
Pos.	Models	All
	Kit No	405179
Description		
164a	Terminal box with gasket	1
164	Terminal box cover with gasket	1
166	Screw	4
175	Screw	4
176	Terminal complete	1

Rectangular flange kit

Pos.	Kit No	405178
	Description	
12	Counter flange	1
39	O-ring	1
35	Screw	4

50/60 Hz
Models A, B, C

CRK, CRKI 2



TM02 5298 2502

CRK, CRKI 4

50/60 Hz
Models A, B, C

Shaft seal kit

Pos.	Kit No	415080	415085	985720
	Description	AUUV	BUBV	AUUK
37	Gasket	1	1	1
37a	Gasket	1	1	1
105	Shaft seal complete	1	1	1

Wear parts kit

Pos.	Kit No	415092	415093	415114	415094
	Number of stages	1-6	7-12	14-16	18-22
Description					
4a	Bearing chamber	1	2	3	4
9	Coupling screw	4	4	4	4
10	Coupling pin	1	1	1	1
36	Nut	4	4	4	4
37	Gasket	1	1	1	1
37a	Gasket	1	1	1	1
45	Neck ring	5	10	13	18
47a	Bearing ring	1	2	4	4
61	Spacer	1	1	1	1
62	Stop ring	1	1	1	1
65	Neck ring retainer	5	10	13	18
66	Washer	1	1	1	1
66a	Washer	4	4	4	4
67	Lock nut	1	1	1	1
122	Priming screw	1	1	1	1

Coupling complete

Pos.	Kit No	415078	415079	415062	415063	415314	415315
	Motor/pump shaft diameter [mm] x L	14/12 x 81	19/12 x 81	24/12 x 68	28/12 x 68	15.8/12	28.5/12
Description						NEMA	
10a	Coupling half	2	2	2	2	2	2
9	Screw	4	4	4	4	4	4
10	Pin	1	1	1	1	1	1

Metal terminal box kit

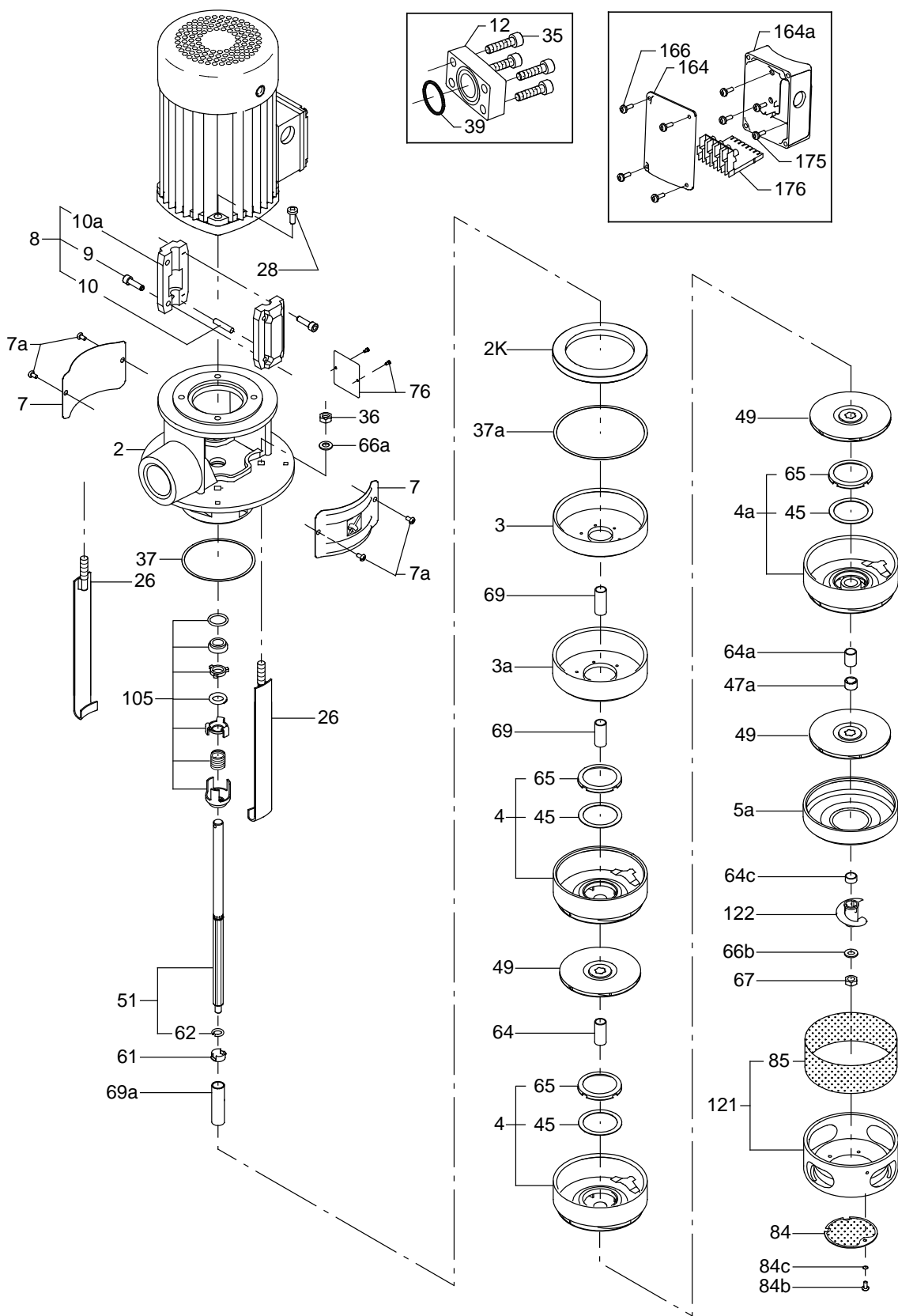
Pos.	Models	All
	Kit No	405179
Description		
164a	Terminal box with gasket	1
164	Terminal box cover with gasket	1
166	Screw	4
175	Screw	4
176	Terminal complete	1

Rectangular flange kit

Pos.	Kit No	405178
	Description	
12	Counter flange	1
39	O-ring	1
35	Screw	4

50/60 Hz
Models A, B, C

CRK, CRKI 4



TM02 5299 2502

CRK 8

50/60 Hz
Model B

Shaft seal kit

Pos.	Kit No	425089
	Description	AUUV
37	Gasket	1
105	Shaft seal complete	1

Wear parts kit

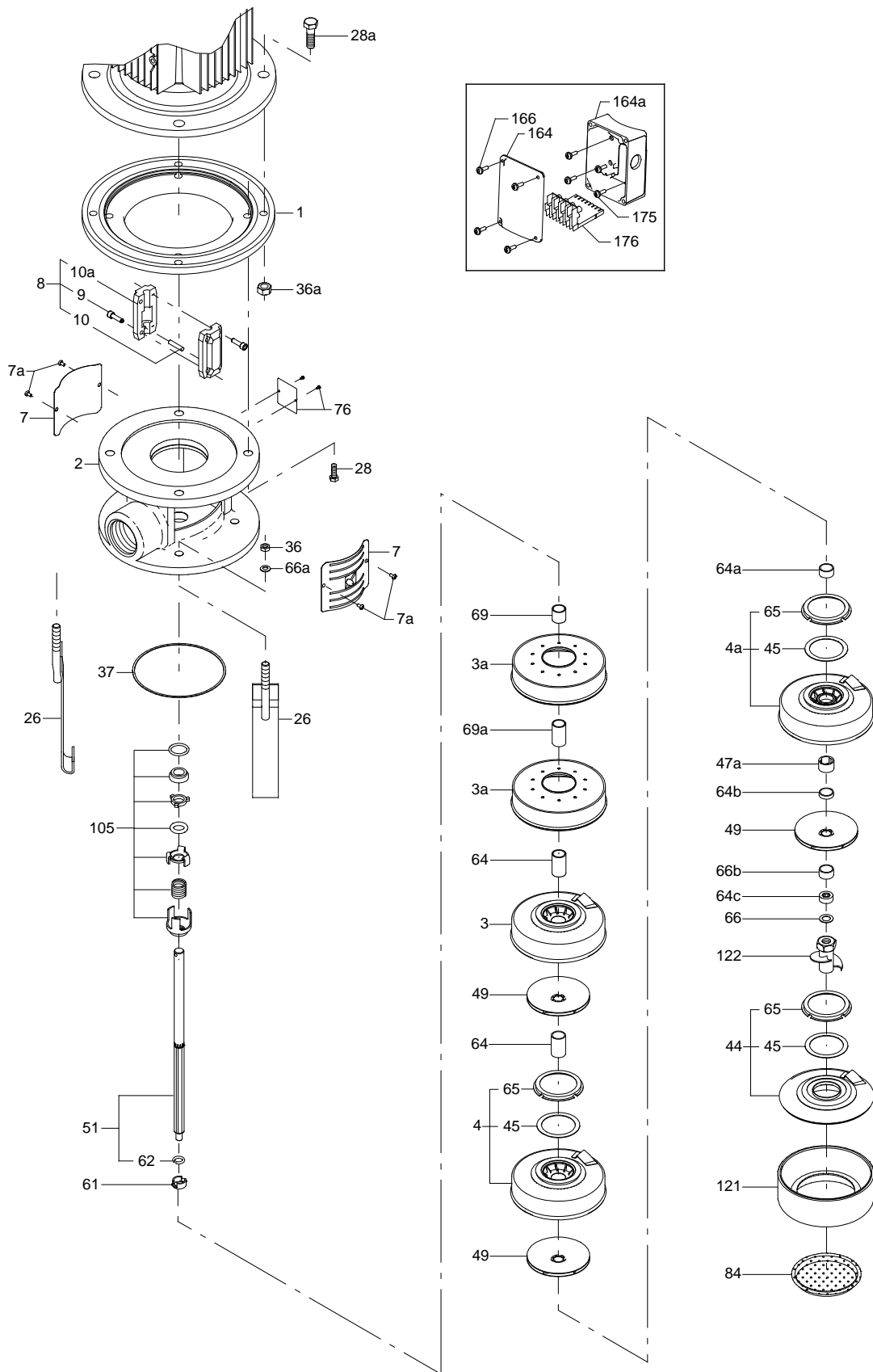
Pos.	Kit No	CRK 8-20/30/40/50/60/80	CRK 8-100/120/140	CRK 8-160/180/200
		425090	425091	425092
		Number of stages	1-8	1-14
Description				
4a	Chamber with bearing	1	2	3
36	Nut M12	4	4	4
36a	Nut M16		4	4
37	Gasket $\varnothing 145/138 \times 0.25$	1	1	1
45	Neck ring	7	12	17
47a	Bearing ring	1	2	3
61	Spacer for shaft seal	1	1	1
62	Stop ring	1	1	1
64c	Spacer 21.5 x 17.5 x 8	1	1	1
65	Neck ring retainer	7	12	17
66	Lock washer M12	1	1	1
66a	Washer d13/D24	4	4	4
66b	Spacing pipe 11 mm	1	1	1

Coupling complete

Pos.	Kit No	339119	339169	339124	339128	339138	339142	425260	425261	425262	425263		
		Motor/pump shaft diameter [mm] x L								NEMA	NEMA	NEMA	NEMA
		19/16 x 51	19/16 x 82	24/16 x 68	28/16 x 68	38/16 x 90	42/1 6x 105	15.9/16	28.6/16	34.9/16	41.3/16		
Description										NEMA	NEMA	NEMA	NEMA
10a	Coupling half	2	2	2	2	2	2	2	2	2	2		
9	Screw	4	4	4	4	4	4	4	4	4	4		
10	Pin	1	1	1	1	1	1	1	1	1	1		

Metal terminal box kit

Pos.	All with MG 71/80	
	Kit No	405179
	Description	
164a	Terminal box with gasket	1
164	Terminal box cover with gasket	1
166	Screw	4
175	Screw	4
176	Terminal complete	1



CRK 16

50/60 Hz
Model B

Shaft seal kit

Pos.	Kit No	425089
	Description	AUUV
37	Gasket	1
105	Shaft seal complete	1

Wear parts kit

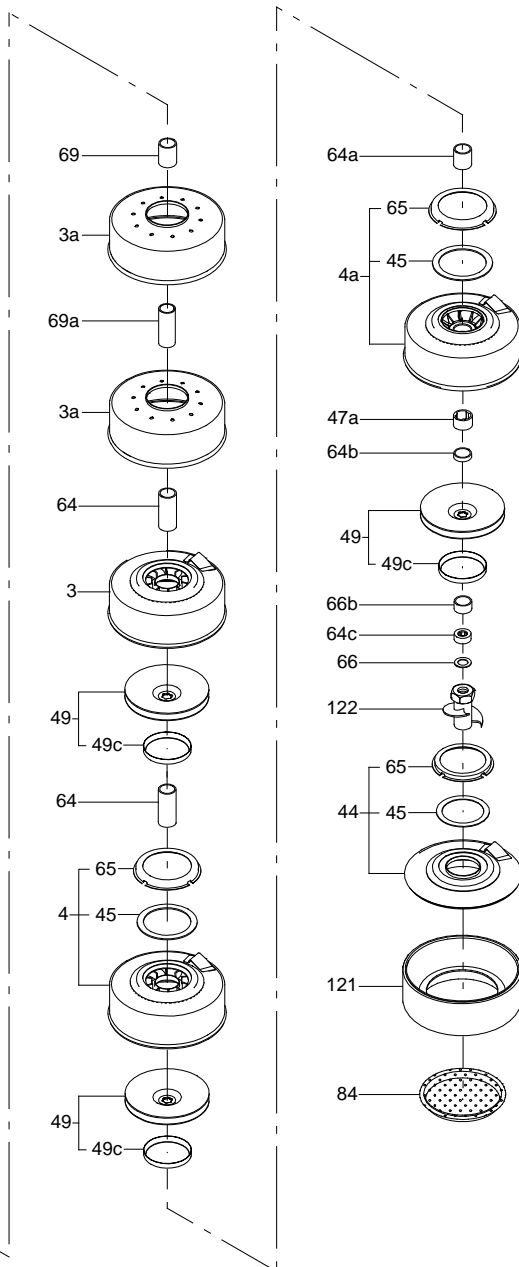
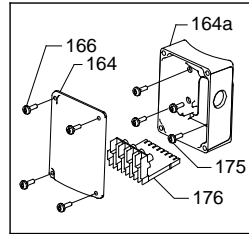
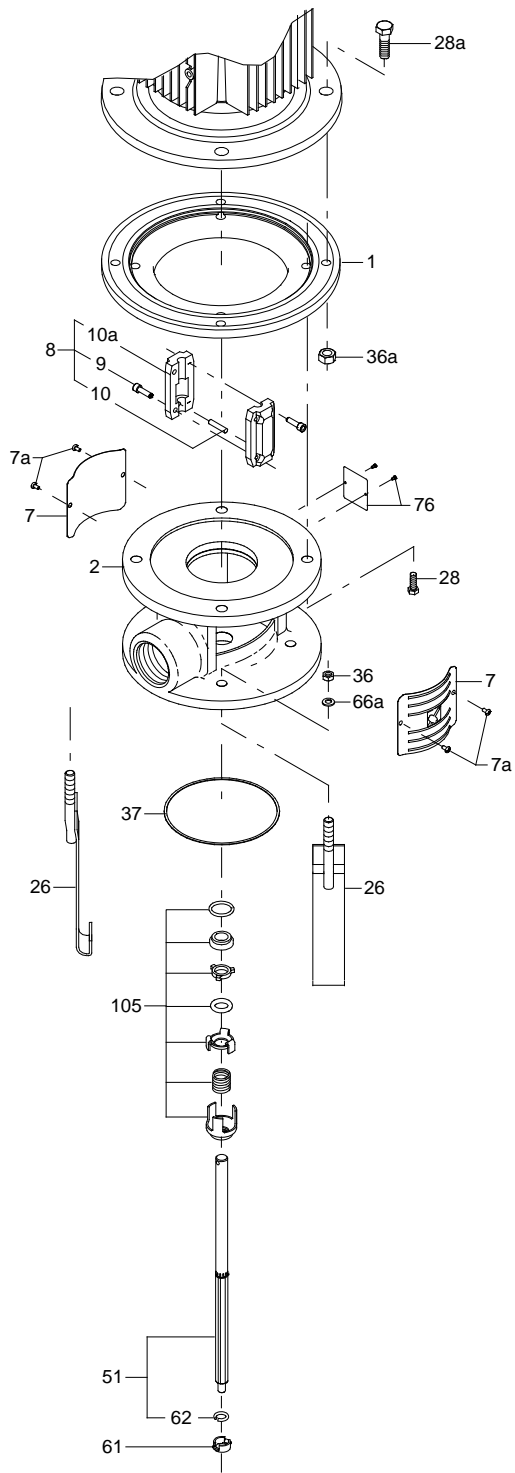
Pos.	Kit No	CRK 16-20/30/40/50/60	CRK 16-70/80/100	CRK 16-120/140/160
		335091	335092	335093
	Number of stages	1-6	7-10	12-16
	Description			
4a	Chamber with bearing	1	2	3
36	Nut M12	4	4	4
36a	Nut M16		4	4
37	Gasket $\varnothing 145/138 \times 0.25$	1	1	1
45	Neck ring	5	8	13
47a	Bearing ring	1	2	3
61	Spacer for shaft seal	1	1	1
62	Stop ring	1	1	1
64c	Spacer 21.5 x 17.5 x 8	1	1	1
65	Neck ring retainer	5	8	13
66	Lock washer M12	1	1	1
66a	Washer d13/D24	4	4	4
66b	Spacing pipe 11 mm	1	1	1

Coupling complete

Pos.	Kit No	339119	339169	339124	339128	339138	339142	425261	425262	425263
		Motor/pump shaft diameter [mm] x L	19/16 x 51	19/16 x 82	24/16 x 68	28/16 x 68	38/16 x 90	42/16 x 105	28.6/16	34.9/16
	Description							NEMA	NEMA	NEMA
10a	Coupling half	2	2	2	2	2	2	2	2	2
9	Screw	4	4	4	4	4	4	4	4	4
10	Pin	1	1	1	1	1	1	1	1	1

Metal terminal box kit

All with MG 71/80		
Pos.	Kit No	405179
	Description	
164a	Terminal box with gasket	1
164	Terminal box cover with gasket	1
166	Screw	4
175	Screw	4
176	Terminal complete	1



CRK 30

50/60 Hz
Model A

Shaft seal kit

Pos.	Kit No	345294
Description		
105	Shaft seal complete	1
109	O-ring	1

Wear parts kit

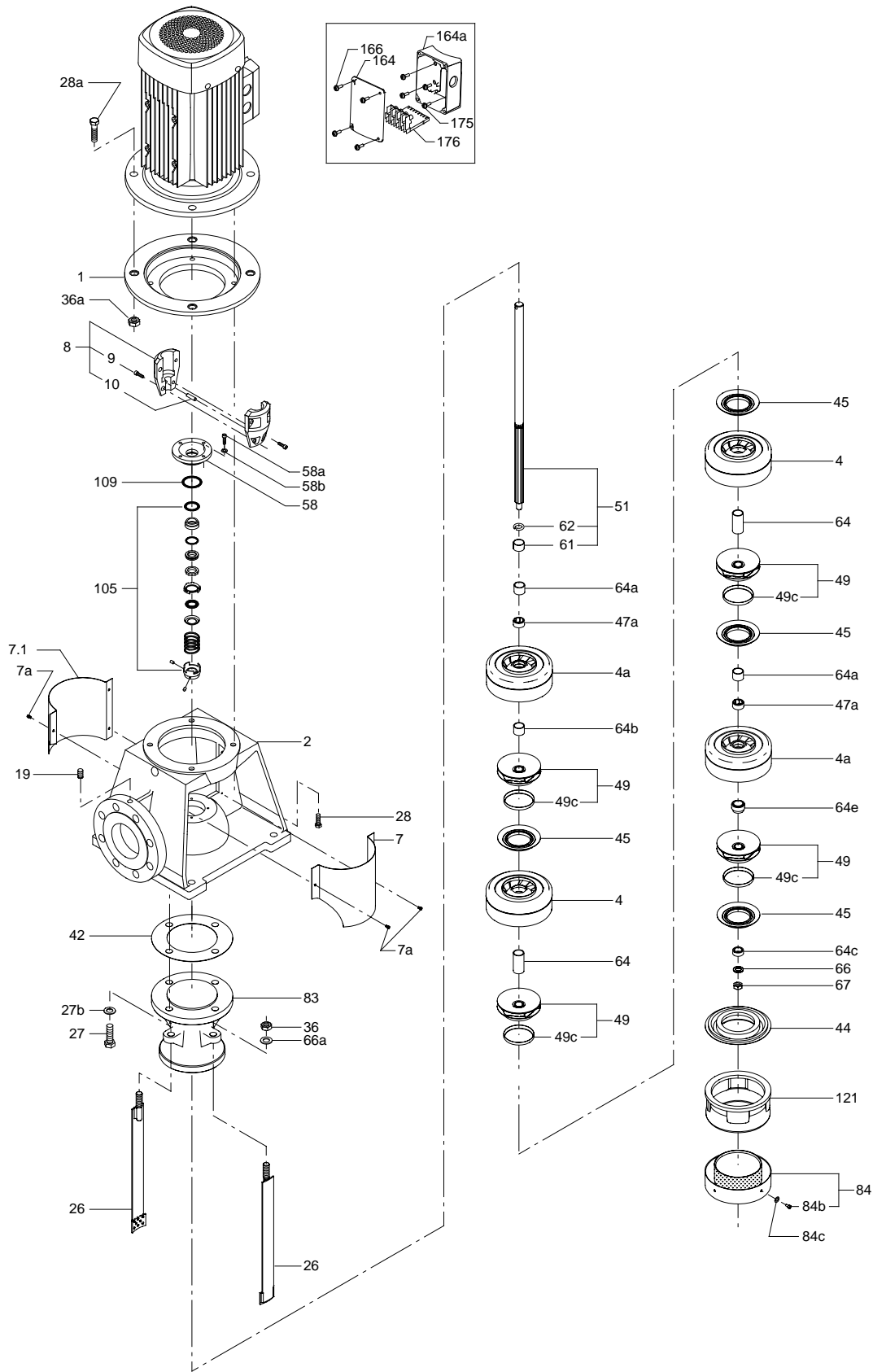
Pos.	Description	50/60 Hz	50/60 Hz	50/60 Hz	50 Hz
		CRK 30-20-30/1-3	CRK 30-40-110/2-11	CRK 30-120-160/7-10	CRK 30-120-160/11-16
		CRK 30-40-160/1	CRK 30-120-160/2-6		
Kit No	345290	345291	345292	345293	
Number of stages	1-3	2-11	7-10	11-16	
4a	Bearing chamber	1	2	3	3
36	Nut	4	4	4	4
37	Gasket	1	1	1	1
45	Neck ring	3	11	10	16
47a	Bearing ring	1	2	3	3
49c	Impeller wear ring	3	11	10	16
66a	Washer	4	4	4	4
67	Lock nut	1	1	1	1

Coupling complete

Pos.	Kit No	345107	345108	345109	345110	345231	485140	485160	345232	
		Motor/pump shaft diameter [mm] x L								
		28/22 x 88	38/22 x 116	42/22 x 116	48/22 x 116	28.6/22 x 116	34.9/22 x 116	41.3/22 x 116	41.3/22 x 116	
Description						NEMA	NEMA	NEMA	NEMA	
	Coupling half	2	2	2	2	2	2	2	2	
9	Screw	4	4	4	4	4	4	4	4	
10	Pin	1	1	1	1	1	1	1	1	

Metal terminal box kit

All with MG 71/80		
Pos.	Kit No	405179
Description		
164a	Terminal box with gasket	1
164	Terminal box cover with gasket	1
166	Screw	4
175	Screw	4
176	Terminal complete	1



TM02 5302 2502

CRK 60

50/60 Hz
Model A

Shaft seal kit

Pos	Kit No	345294
Description		
105	Shaft seal complete	1
109	O-ring	1

Wear parts kit

		CRK 60-20-30/1-3	CRK 60-40-100/2-8	
		CRK 60-40-100/1		
Pos.	Kit No	365196	365197	
		Number of stages	1-3	2-8
Description				
4a	Bearing chamber	1	2	
36	Nut	4	4	
37	Gasket	1	1	
45	Neck ring	3	8	
47a	Bearing ring	1	2	
66a	Washer	4	4	

Coupling complete

		345107	345108	345109	345110	345231	485140	485160	345232
Pos.	Motor/pump shaft diameter [mm] x L	28/22 x 88	38/22 x 116	42/22 x 116	48/22 x 116	28.6/22 x 116	34.9/22 x 116	41.3/22 x 116	41.3/22 x 116
						NEMA	NEMA	NEMA	NEMA
Description									
	Coupling half	2	2	2	2	2	2	2	2
9	Screw	4	4	4	4	4	4	4	4
10	Pin	1	1	1	1	1	1	1	1

Metal terminal box kit

All with MG 71/80		
Pos.	Kit No	405179
Description		
164a	Terminal box with gasket	1
164	Terminal box cover with gasket	1
166	Screw	4
175	Screw	4
176	Terminal complete	1

